



Camshelving® GN 1/1 Food Pan Trolley

Full Size Rack

Holds 18 each GN 1/1 Food Pans, 2 1/2" (6,5 cm) Deep

Half Size Rack

Holds 9 each GN 1/1 Food Pans, 2 1/2" (6,5 cm) Deep

Features & Benefits

- Multi-purpose, end load trolley for holding, storing and transporting bulk food in GN food pans. Compact, slim design maximizes working space and storage space.
- Made from an extremely strong, revolutionary composite material with a smooth, easy to clean surface.
- Lifetime warranty against rust and corrosion.
- No metal parts, welds, screws, cross bars or metal casters than can bend, dent, rust or corrode.
- Moves easily between kitchen, freezer, cooler and/or off premise.
- Rails accept/hold hot pans from 390°F (200°C) oven.
- Wide 3" (7,6 cm) rail spacing offers greatest versatility and ease of use.
- Top frame features molded in supports to hold a single GN 1/1 Food Pan to cover and protect contents below. Convert the half size unit into a light duty workstation by placing a GN 1/1 cutting board on the top frame.
- Molded in lip load rails (food pan flange hangs from rails) for food pans.
- Molded in 0.012" (3 mm) pan stops on each rail end help keep pans on the rails when turning or transporting.
- Food pan holding capacity:

	2½" (6,5 cm)	4" (10 cm)	6" (15 cm)	8" (20 cm)
Full Size Trolley				
1/1 Pans	18 each	9 each	9 each	6 each
1/2 Pans	36	18	18	12
1/3 Pans	54	27	27	18
Half Size Trolley				
1/1 Pans	9	4	4	3
1/2 Pans	18	8	8	6
1/3 Pans	27	12	12	9

- Weight bearing per rail set is 100 lbs. (45 kg). Full size unit weight bearing is 750 lbs. (340 kg). Half size unit weight bearing is 375 lbs. (170 kg).
- Four each heavy duty 5" (12,7 cm) premium plastic swivel casters all with total locking brake. Locks swivel and wheel. Non-marking thermoplastic rubber wheel. Rust and corrosion free.
- Easy to clean. Wipe down or pressure wash.
- Ships knockdown with casters and bottom frame wedges factory installed. Minimal assembly required.
- Optional Heavy Duty Vinyl Cover fits full size trolley only and can be used to cover hot pans removed from 350°F (177°C) oven.
- Available in 1 color only – Speckled Gray (480).

Project _____

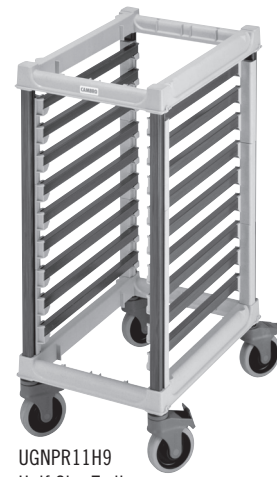
Item No. _____

Model No. _____

Quantity _____



UGNPR11F18
Full Size Trolley



UGNPR11H9
Half Size Trolley

Approvals



COMPONENT

Patent Pending.



Information and specifications are subject to change without notice. Please confirm at time of order.
 © Cambro Manufacturing Company 5801 Skylab Road, Huntington Beach, California 92647-2056-U.S.A.
Telephone 714 848 1555 **Toll Free** 800 854 7631 **Customer Service** 800 833 3003
 Printed in USA. 11/20

Camshelving® GN 1/1 Food Pan Trolley

Project _____

Item No. _____

Model No. _____

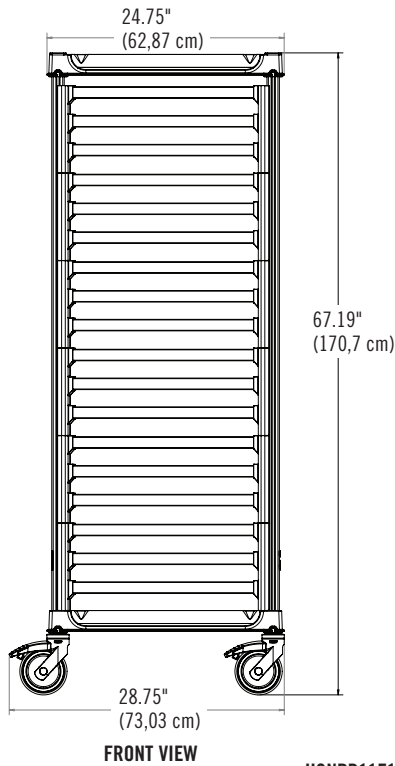
Quantity _____

Full Size Rack

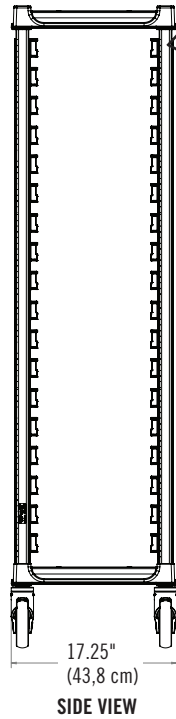
Holds 18 each GN 1/1 Food Pans, 2 1/2" (6,5 cm) Deep

Half Size Rack

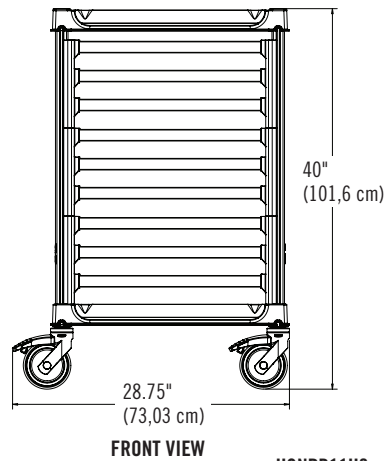
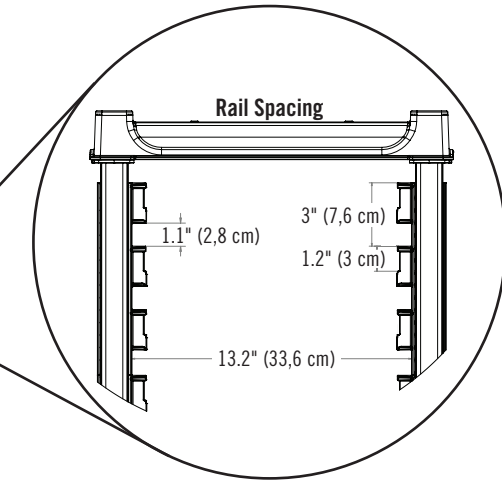
Holds 9 each GN 1/1 Food Pans, 2 1/2" (6,5 cm) Deep



UGNPR11F18



SIDE VIEW



UGNPR11H9

SIDE VIEW

Specifications

Code	Description	Load Capacity	Dimensions L x W x H*	Unit Weight
UGNPR11F18	Full Size Trolley	750 lbs. (340 kg)	28.75" x 17.25" x 67.19" (73,03 x 43,8 x 170,7 cm)	53.15 lbs. (24,56 kg)
UGNPR11H9	Half Size Trolley	375 lbs. (170 kg)	28.75" x 17.25" x 40" (73,03 x 43,8 x 101,6 cm)	32.68 lbs. (15,28 kg)

Dimension Tolerance: +/- 1/4" (0,64 cm)

* Includes 5" (12,7 cm) Casters.

Optional Accessories

Full Size Vinyl Cover GBCTUGNPR11

Standard Colors

Speckled Gray (480)

Architect Specs

Mobile Posts: Proprietary non-corrosive composite material. Post Connector Frames: Reinforced nylon. Side Rail Panels: Proprietary non-corrosive composite material and reinforced polypropylene. Post Connector Frame Wedges: Reinforced polypropylene. Casters: 5" (12,7 cm), plastic nylon frame, metal stem, non-marking thermoplastic wheel, with total locking brake. Units ship knockdown with casters and bottom post connector frame wedges factory assembled onto posts. Holds GN 1/1, 1/2 and 1/3 size food pans. Weight bearing per rail set is 100 lbs. (45 kg). Full size unit weight bearing is 750 lbs. (340 kg). Half size unit weight bearing is 375 lbs. (170 kg). Lifetime warranty against rust and corrosion. Unit color is Speckled Gray (480).

Approvals



COMPONENT

Patent Pending.

CAMBRO
TRUSTED FOR GENERATIONS™
www.cambro.com

Information and specifications are subject to change without notice. Please confirm at time of order.
© Cambro Manufacturing Company 5801 Skylab Road, Huntington Beach, California 92647-2056-U.S.A.
Telephone 714 848 1555 Toll Free 800 854 7631 Customer Service 800 833 3003
Printed in USA. 11/20

CSUGNPR1DOM

0062012